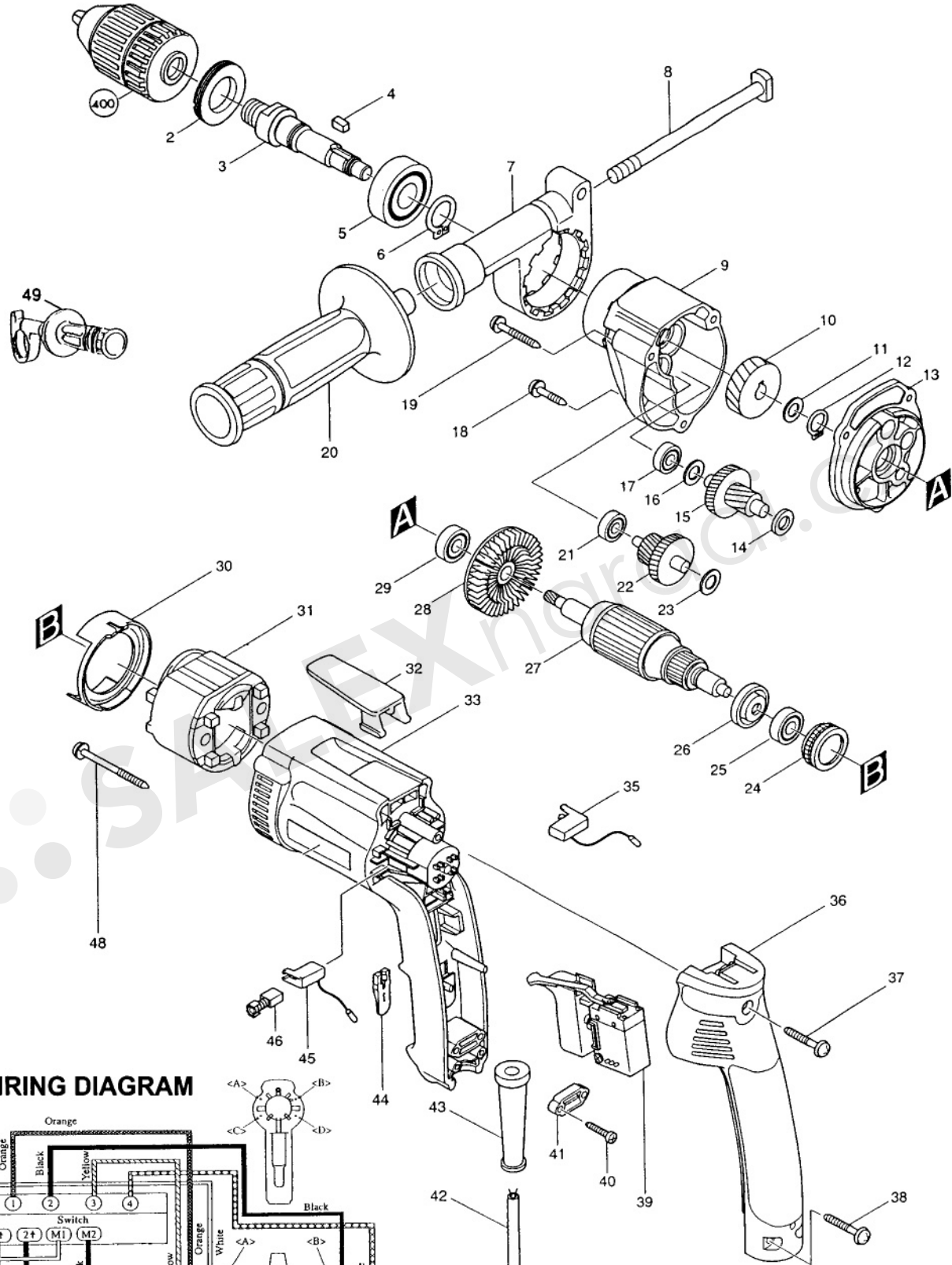




1/2" (13mm) DRILL

Model DP4003



WIRING DIAGRAM

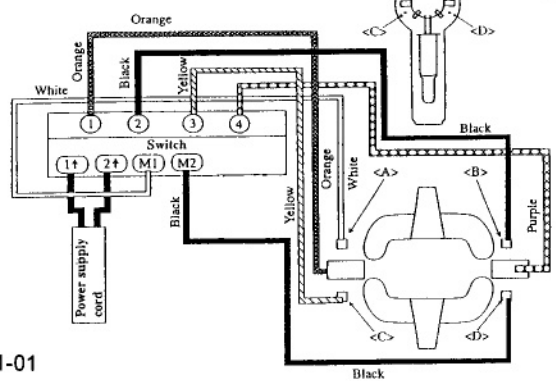


Fig.	Part No.	Qty. Used	Description	Fig.	Part No.	Qty. Used	Description
2	285807-7	1	BEARING RETAINER 22-36	27	517356-9	1	ARMATURE Ass'y 115V (Incl. Fig. 25, 26, 28, & 29)
3	324039-2	1	SPINDLE	28	241873-4	1	FAN 55
4	254202-2	1	KEY 4	29	211031-6	1	BALL BEARING 608LLB
5	211206-7	1	BALL BEARING 6202LLB	30	417356-8	1	BAFFLE PLATE
6	961055-9	1	RETAINING RINGS-15	31	633466-5	1	FIELD 115V
7	317401-8	1	GRIP BASE	32	417625-7	1	HOOK
8	266261-4	1	BOLT M8x130	33	183270-7	1	MOTOR HOUSING Set (Incl. Fig. 47)
9	317397-3	1	GEAR HOUSING	35	643951-0	1	BRUSH HOLDER
10	226529-0	1	HELICAL GEAR 26	36	152641-9	1	HANDLE COVER cpl. (Incl. 2 ea. 263002-9 Rubber Pin 4)
11	267143-3	1	FLAT WASHER 11	37	265999-8	1	TAPPING SCREW 4x25
12	961051-7	1	RETAINING RINGS-11	38	265999-8	2	TAPPING SCREW 4x25
13	152639-6	1	GEAR HOUSING cpl. (Incl. 1 ea. 212004-2 Needle Bearing 810; & 2 ea. 212016-5 Needle Bearing 609)	39	651991-4	1	SWITCH
14	253804-1	1	FLAT WASHER 6	40	265995-6	2	TAPPING SCREW 4x18
15	226138-5	1	GEAR cpl., 7-36	41	687063-9	1	STRAIN RELIEF
16	253133-2	1	FLAT WASHER 7	42	664064-4	1	CORD (2x18x8xSJ)
17	211021-9	1	BALL BEARING 607LLB	43	682559-5	1	CORD GUARD 8
18	266050-7	1	TAPPING SCREW 4x30	44	417358-4	1	SLIDE LEVER
19	266069-6	2	TAPPING SCREW 4x45	45	643948-9	1	BRUSH HOLDER
20	152521-9	1	GRIP 36 cpl.	46	191927-6	1	CARBON BRUSH CB-407 Set
21	211012-0	1	BALL BEARING 606ZZ	48	266060-4	2	TAPPING SCREW 4x65
22	226139-3	1	GEAR cpl. 16-34	49	134903-7	1	GRIP 36 Ass'y (Incl. Fig. 7, 8, & 20)
23	253804-1	1	FLAT WASHER 6	ACCESSORIES			
24	421479-6	1	RUBBER RING 19	400	192957-0	1	KEYLESS DRILL CHUCK
25	211021-9	1	BALL BEARING 607LLB				
26	681636-0	1	INSULATION WASHER				

2 Model DP4003

01-01