

IMPORTANT — To assure product **SAFETY** and **RELIABILITY**, repairs, maintenance or adjustments should be performed by **MAKITA** Service Centers or other qualified service organizations. Always use **MAKITA** replacement parts.

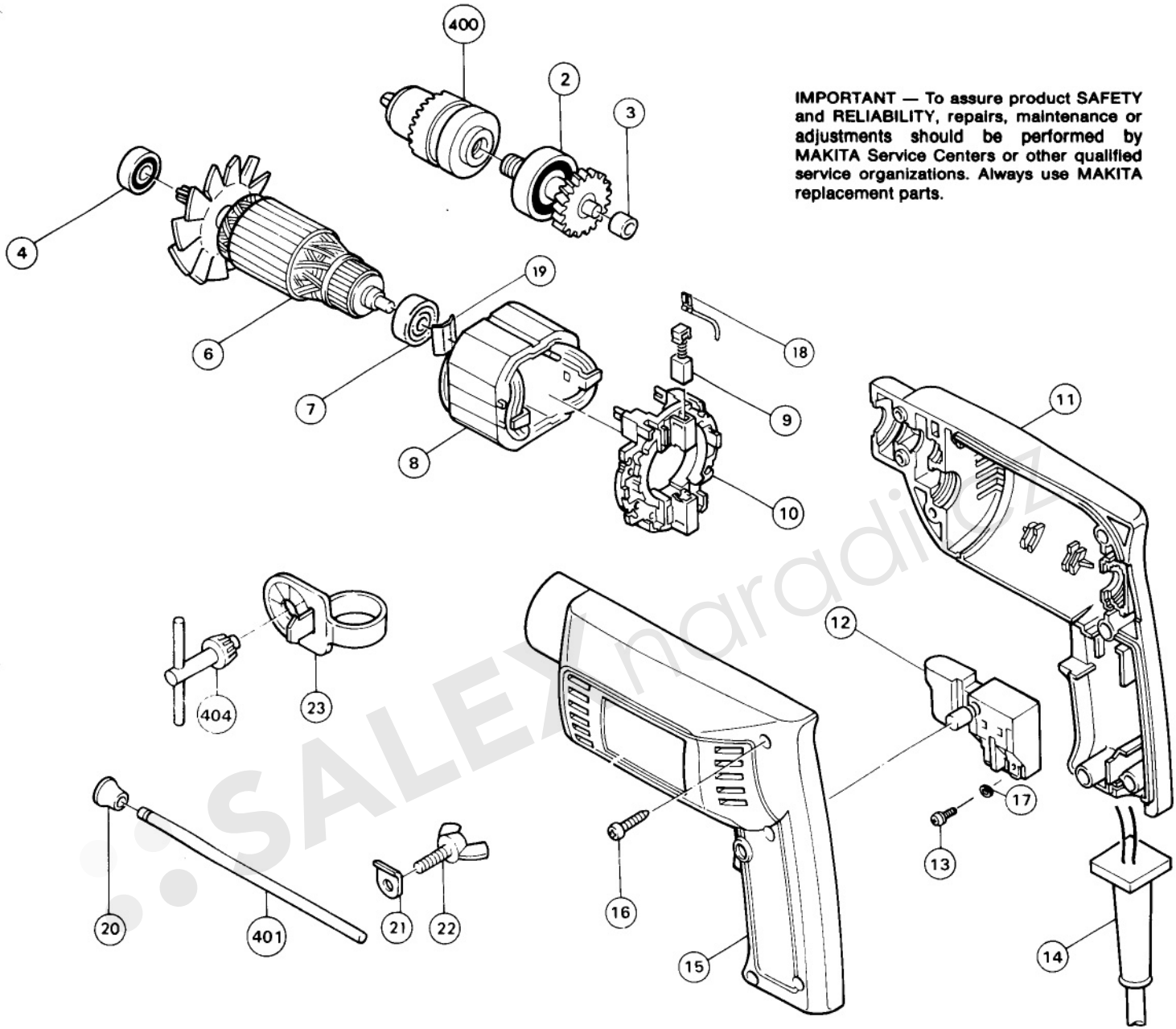
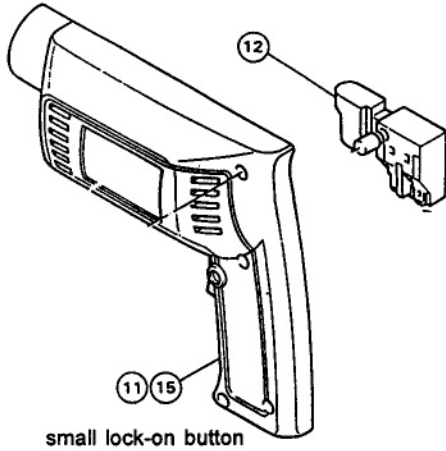


Fig.	Part No.	Qty. Used	Description	Fig.	Part No.	Qty. Used	Description
2	153178-9	1	GEAR COMPLETE	17	652259-1	4	CLAMP WASHER
3	214017-9	1	P. BEARING 5	18	654069-2	2	RECEPTACLE
4	211018-8	1	B. BEARING 626LB	19	232100-0	1	LEAF SPRING
6	611676-4	1	ARMATURE (INCL. FIG. 4 & 7)	20	286224-4	1	CAP 12
7	211018-8	1	B. BEARING 626LB	21	343525-4	1	STOPPER POLE RETAINER
8	633031-0	1	FIELD	22	924221-9	1	WING BOLT M5X18
9	643070-2	2	CARBON BRUSH 70	23	411780-7	1	HOLDER
10	632073-1	1	BRUSH RING				
11	*	1	HOUSING SET (INCL. FIG. 15)	ACCESSORIES			
12	*	1	SWITCH	400	763077-3	1	DRILL CHUCK 6.5
13	652008-6	4	P. H. SCREW M3.5X7	401	191872-5	1	DEPTH GAUGE ASSY. (INCL. FIG. 20-22)
14	664422-4	1	CORD	404	763419-1	1	CHUCK KEY
15	*	1	HOUSING SET (INCL. FIG. 11)				
16	265874-8	6	TAPPING SCREW 4X20				

SERVICE CHANGE

1. Change on switch.

TYPE 1



TYPE 2

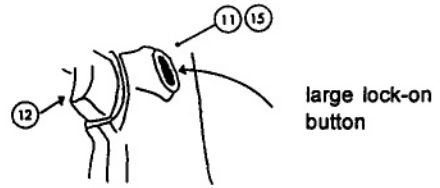


FIG	DESCRIPTION	TYPE 1	TYPE 2
11, 15	Housing Set	Part # 182071-0	Part # 182798-2
12	Switch	Part # 651232-8	Part # 651268-7

The above parts are interchangeable as a set.