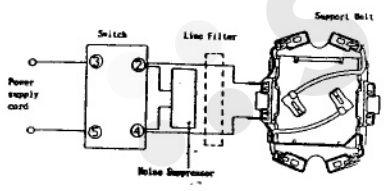
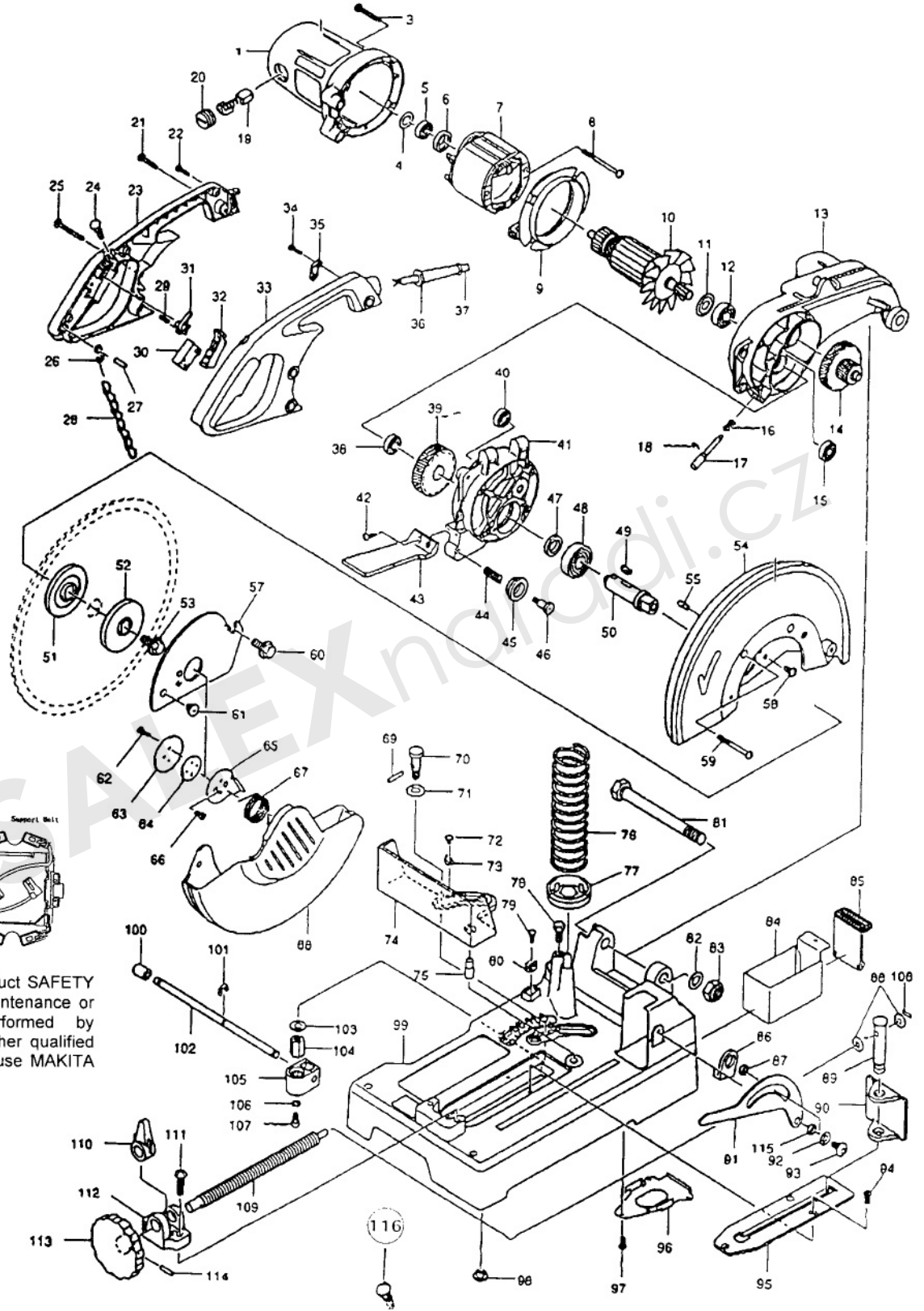




12" METAL CUTTING SAW

MODEL LC1230



IMPORTANT! – To assure product SAFETY and RELIABILITY, repairs, maintenance or adjustments should be performed by MAKITA Service Centers, or other qualified service organizations. Always use MAKITA replacement parts.

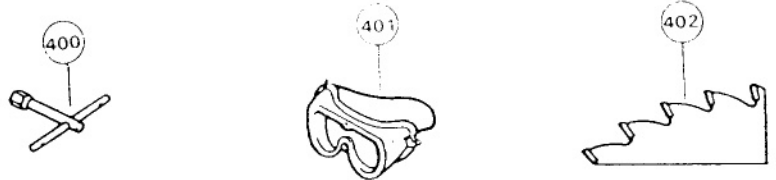


Fig.	Part No.	Qty. Used	Description	Fig.	Part No.	Qty. Used	Description
1	151625-4	1	MOTOR HOUSING CPL. (INCL. 1 EA. SUPPORT UNIT 632799-5, 2 EA. BRUSH HOLDER 643705-5)	62	266034-5	2	TAPPING SCREW CT 4X16
3	266028-0	4	TAPPING SCREW BIND CT 5X40	63	344735-6	1	CENTER SUPPORT
4	253749-3	1	FLAT WASHER 16	64	344734-8	1	CENTER WASHER
5	211056-0	1	BALL BEARING 629LLB	65	344736-4	1	CENTER PLATE
6	681633-6	1	INSULATION WASHER	66	922107-1	2	HEX. SOCKET HEAD BOLT M4X8
7	636166-6	1	FIELD 115V	67	231643-9	1	TORSION SPRING 38
8	266059-9	2	TAPPING SCREW 5X75	68	317152-3	1	SAFETY COVER
9	415475-4	1	BAFFLE PLATE	69	256098-7	1	PIN 5
10	516571-2	1	ARMATURE ASS'Y 115V (Inc. 1 Ea. FAN 92 241048-5, Inc. Fig. 5,6)	70	323882-6	1	COLLARED SHAFT 12
11	267714-6	1	WASHER 15	71	253843-1	1	FLAT WASHER 12
12	211206-7	1	BALL BEARING 6202LLB	72	911103-4	1	PAN HEAD SCREW M4X6
13	316626-1	1	GEAR HOUSING (L)	73	816128-2	1	POINTER
14	226122-0	1	GEAR COMPLETE 16-44	74	310086-9	1	VICE
15	211064-1	1	BALL BEARING 6000	75	256453-3	1	PIN 12
16	231418-6	1	COMPRESSION SPRING 9	76	233103-7	1	COMPRESSION SPRING 45
17	322678-2	1	SHAFT LOCK	77	165066-8	1	SPRING HOLDER
18	961014-3	1	STOP RING E-8	78	265412-6	1	HEX. BOLT M8X20
19	191953-5	1	CARBON BRUSH CB-203	79	266034-5	1	TAPPING SCREW CT 4X16
20	643700-5	2	BRUSH HOLDER CAP 7-18	80	232075-3	1	LEAF SPRING
21	266032-9	1	TAPPING SCREW BIND CT 5X30	81	265413-4	1	HEX. BOLT M16
22	265995-6	4	TAPPING SCREW 4X18	82	253771-0	1	FLAT WASHER 16
23	182628-7	1	HANDLE SET	83	252044-8	1	HEX. NUT M16-24
24	411478-6	1	SWITCH BUTTON	84	344740-3	1	DUST BOX
25	266033-7	2	TAPPING SCREW BIND CT 5X50	85	421671-4	1	RUBBER PAD
26	281207-9	1	HANGER	86	421670-6	1	CUSHION
27	256012-3	1	PIN 6	87	257222-5	1	RING 8
28	282010-1	1	CHAIN	88	253731-2	2	FLAT WASHER 8
29	231397-8	1	COMPRESSION SPRING 4	89	268040-6	1	PIN 16
30	651922-3	1	SWITCH TG71B	90	344118-0	1	VICE PLATE
31	415366-9	1	SWITCH LOCK	91	344738-0	1	LINK PLATE
32	152463-7	1	SWITCH LEVER COMPLETE	92	253139-0	2	FLAT WASHER 8
33	182628-7	1	HANDLE SET	93	251331-2	2	+PAN HEAD SCREW M6
34	265995-6	2	TAPPING SCREW 4X18	94	912212-2	3	COUNTERSUNK HEAD SCREW M5x12
35	687052-4	1	STRAIN RELIEF	95	344119-8	1	GUIDE PLATE
36	682505-8	1	CORD GUARD 10-90	96	344739-8	1	UNDER PLATE
37	664463-0	1	POWER SUPPLY CORD AWG#14-2.5	97	266026-4	3	TAPPING SCREW BIND CT 4X12
38	211064-1	2	BALL BEARING 6000	98	286212-1	5	CAP 20
39	226427-8	1	HELICAL GEAR 38	99	151623-8	1	BASE COMPLETE
40	211061-7	1	BALL BEARING 6000LLB	100	286236-7	1	CAP 16
41	317148-4	1	GEAR HOUSING R	101	961014-3	2	STOP RING E-8
42	266034-5	2	TAPPING SCREW CT 4X16	102	323883-4	1	LEVER ROD 10
43	416869-6	1	PROTECTOR	103	253024-7	1	FLAT WASHER 10
44	231226-5	1	COMPRESSION SPRING 11	104	252161-4	1	HEX. NUT M10-17
45	415474-6	1	BLADE GUIDE	105	151622-0	1	LEVER HOLDER COMPLETE
46	266030-3	1	SCREW M6	106	941152-7	1	FLAT WASHER 6
47	257139-2	1	RING 20	107	922312-0	1	HEX. SOCKET HEAD BOLT M6X12
48	211329-1	1	BALL BEARING 6204DDW	108	951063-8	1	SPRING PIN 3-16
49	254229-2	1	KEY 5	109	322679-0	1	VICE SCREW
50	323828-2	1	SPINDLE	110	322209-7	1	VICE NUT
51	224308-0	1	INNER FLANGE 70	111	911451-1	2	PAN HEAD SCREW M8X30
52	224309-8	1	OUTER FLANGE 70	112	311949-2	1	SCREW GUIDE
53	265414-2	1	HEX. FLANGE HEAD BOLT M10X20	113	271062-7	1	HANDLE 100
54	183089-4	1	BLADE CASE SET (INCL. FIG. 56)	114	951166-8	1	SPRING PIN 5-24
55	256405-4	2	PIN 6-7	115	257157-0	1	RING 8
57	344737-2	1	CENTER COVER	116	411478-6	2	SWITCH BUTTON
58	266035-3	2	TAPPING SCREW BIND CT 5X12	ACCESSORIES			
59	911383-2	4	PAN HEAD SCREW M6X60	400	782210-8	1	SOCKET WRENCH 17
60	265414-2	1	HEX. FLANGE HEAD BOLT M10X20	401	191686-2	1	SAFETY GOGGLE
61	265020-3	1	+FLAT HEAD SCREW M6	402	A-90532	1	12" T.C.T. SAW BLADE, 60T