



# 1/2" IMPACT WRENCH Model 6905B

**IMPORTANT!** — To assure product SAFETY and RELIABILITY, repairs, maintenance or adjustments should be performed by MAKITA Service Centers, or other qualified service organizations. Always use MAKITA replacement parts.

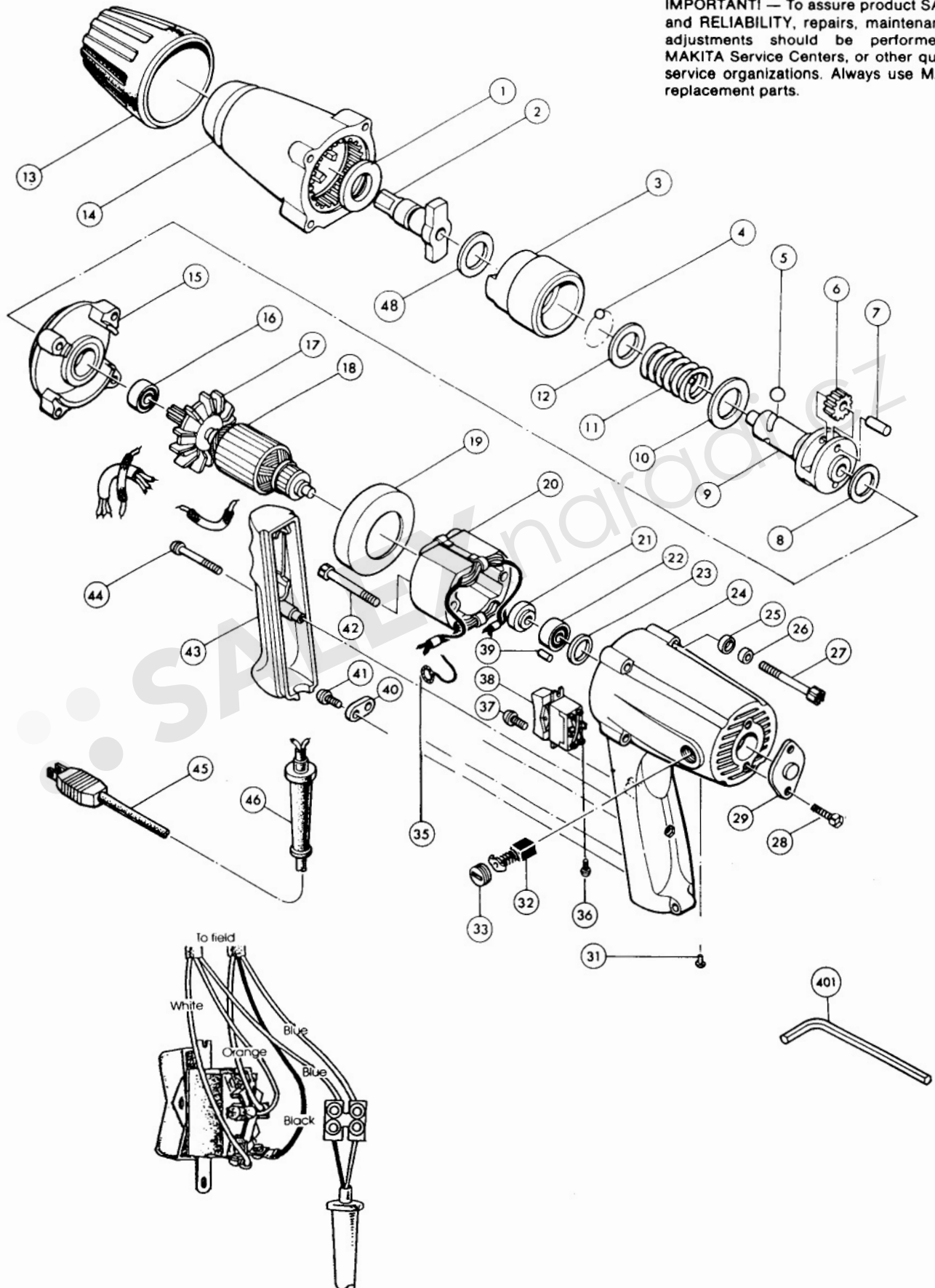


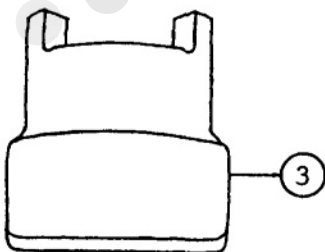
Fig.	Part No.	Qty. Used	Description	Fig.	Part No.	Qty. Used	Description
1	253937-2	1	F. WASHER 18	24	156543-1	1	MOTOR HOUSING (INCL.B.HOLDER: 643557-4, SETSCREWM5X8:913206-0)
2	325546-8	1	ANVIL (INCL. PIN323675-1, CLIP322045-1)	25	253929-1	4	CUP WASHER 5
3	*	1	HAMMER	26	262001-8	4	RING 5
4	216008-6	20	STEEL BALL 4.0	27	922903-7	4	H.S.H. BOLT M5X50
5	216007-8	2	STEEL BALL 6.4	28	921226-0	2	HEX BOLT M5X18
6	221849-7	2	S. GEAR	29	285015-0	1	BEARING COVER 34
7	256033-5	2	PIN 6	31	953106-2	4	RIVET 0-5
8	253794-8	1	F. WASHER 18	32	191947-0	1	CARBON BRUSH SET 76
9	321118-7	1	SPINDLE	33	643550-8	2	BRUSH CAP
10	253751-6	1	F. WASHER 24	35	654018-9	2	GARTER SPRING
11	231261-3	1	COMP. SPRING 24	36	652008-6	4	P.H. SCREW M3.5X7
12	253793-0	1	F. WASHER 22	37	911106-8	1	P.H. SCREW M4X8
13	421157-8	1	BUMPER	38	651564-3	1	SWITCH
14	156544-9	1	HAMMER CASE (INCL. SEAL 213257-6, SLEEVE 321119-5)	39	263002-9	1	RUBBER PIN 4
15	152145-1	1	BEARING HOUSING	40	687002-9	1	STRAIN RELIEF
16	211031-6	1	B. BEARING 608LLB	41	911133-5	2	P.H. SCREW M4X18
17	241622-9	1	FAN 62	42	265349-7	2	HEX BOLT M4X50
18	615131-8	1	ARMATURE (INCL. FIGS.16,17,21,22)	43	411600-5	1	HANDLE COVER
19	411601-3	1	BAFFLE PLATE	44	911168-6	1	P.H. SCREW M4X40
20	625116-6	1	FIELD	45	682502-4	1	CORD GUARD 8-85
21	681614-0	1	INS. WASHER	46	664064-4	1	CORD (2X18X8 SJ)
22	211026-9	1	B. BEARING 627LLB	48	261074-8	1	NYLON WASHER 22
23	262010-7	1	RING 18				
				<b>ACCESSORIES</b>			
				401	783202-0	1	HEX WRENCH 4

\* SEE SERVICE CHANGE 1

SERVICE CHANGE

1. Change on Hammer

TYPE 1



TYPE 2

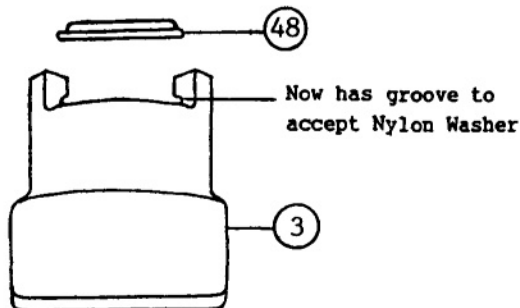


FIG.	DESCRIPTION	TYPE 1	TYPE 2
3	Hammer	Part # 321117-9	Part #322246-1
48	Nylon Washer 22	-----	Part #261074-8

The above parts are completely interchangeable as a set.